

SVEN®
YOU WANT – WE CAN

5.1 Active Home Theater
Speaker System

OPERATION MANUAL



IH00 T100U

www.sven.fi

Congratulations on your purchase of the Sven speaker system!**COPYRIGHT**

© 2014. SVEN PTE. LTD. Version 1.0 (V 1.0).

This Manual and information contained in it are copyrighted. All rights reserved.

TRADEMARKS

All trademarks are the property of their legal holders.

NOTICE OF RESPONSIBILITY RESTRICTION

Despite the exerted efforts to make this Manual more exact, some discrepancies may occur. The information in this Manual is given on «as is» terms. The author and the publisher do not bear any liability to a person or an organization for loss or damage which has arisen from the information contained in this Manual.

CONTENTS

1. BUYER RECOMMENDATIONS	1
2. PACKAGE CONTENTS	2
3. SAFETY PRECAUTIONS	2
4. TECHNICAL DESCRIPTION	2
5. PREPARATION AND OPERATION	6
6. TROUBLESHOOTING.....	10
7. TECHNICAL SPECIFICATIONS	11

1. BUYER RECOMMENDATIONS

- Unpack the device carefully. Make sure there are no accessories left in the box. Check up the device for damage; if the product was damaged during transportation, address the firm which carried out the delivery; if the product functions incorrectly, address the dealer at once.
- Check up the package contents and availability of the warranty card. Make sure the warranty card has a shop stamp, a legible signature or the seller's stamp and purchase date, and the number of the wall mount corresponds to that in the warranty card. Remember: in case of warranty card loss or discrepancy of numbers you forfeit the right for warranty repairs.
- Do not switch on the speaker system immediately after you bring it into a room from environment with negative temperature! After unpacking, the speaker system should be kept in conditions of room temperature for at least 4 hours.
- Before installing and using the speaker system, read this Manual carefully and keep it for future reference.

Technical support is on www.sven.fi.

2. PACKAGE CONTENTS

- Subwoofer — 1 pc
- Satellites — 5 pcs
- Remote control (RC) — 1 pc
- RC batteries (AAA type) — 2 pcs
- FM antenna — 1 pc
- Audio cable — 5 pcs
- 2RCA to 2RCA stereo signal cable — 3 pcs
- 2RCA to mini-jack (Ø 3.5 mm) signal cable — 3 pc
- Operation manual — 1 pc
- Warranty card — 1 pc

3. SAFETY PRECAUTIONS



Caution! High voltage inside! To avoid the risk of electric shock do not open or touch elements inside.

- To avoid electric shock, do not open the MSS and do not perform repairs by yourself. Service and repairs should be performed only by qualified specialists in an authorized service center. The list of authorized service centers is available on www.sven.fi.
- Do not allow the circuit of wires (including the grounded ones) between the speakers, on the power amplifier or the ground, for it causes damage to the power amplifier output stage.
- Do not touch the HTSS power cord plug pins for 2 seconds after unplugging it from the mains.
- Do not put foreign objects inside the holes of the MSS.
- Protect the HTSS from high humidity, water and dust.
- Protect the HTSS from heating: do not locate it near heating appliances or expose to direct sunlight.
- Do not place sources of open flame on or near the HTSS.
- Do not place the HTSS in poorly ventilated areas. Leave an air gap of 10 cm or more. When operating the MSS, do not put any devices on it, do not cover it with cloth or other objects preventing it from cooling.
- Do not clean the HTSS with chemicals, use dry soft cloth only.

4. TECHNICAL DESCRIPTION

IH00 T100U 5.1 Home Theater Speaker System (HTSS) is designed for creating a home theater. The multichannel 5.1 amplifier built into the subwoofer enables to connect the HTSS to virtually any audio source.

HTSS special features

- Easy connection to various audio devices
- Built-in FM tuner
- LED display
- Built-in player for audio files from external storage devices
- USB flash port and SD card slot
- Auxiliary switchable stereo input (AUX)
- Operation controls on the front panel

Operation Manual

IHOO T100U

- Remote control
- Complete power switch-off and StandBy mode
- Magnetic shielding
- Wooden (MDF) subwoofer and satellite cabinets

HTSS design

- ① LED display
- ② IR: IR remote control receiver
- ③ Power LED
- ④ BASS: bass level control button
- ⑤ TREBLE: treble level control button
- ⑥ -: volume/timbre down button
- ⑦ STANDBY: HTSS on/off button
- ⑧ +: volume/timbre up button
- ⑨ SOUND: sound mode selection button (STEREO, PROLOGIC 5.1 emulation)
- ⑩ INPUT: input switch button (STEREO, 5.1, TUNER, USB/SD)
- ⑪ SD: slot for connecting an SD card containing MP3 audio files
- ⑫ USB: USB port for connecting a USB flash drive containing MP3 audio files
- ⑬ ◀◀: previous track (pressed short)/rewind (pressed and held down)
- ⑭ ▶▶: play / pause
- ⑮ ▶▶▶: next track (pressed short)/ forward (pressed and held down)

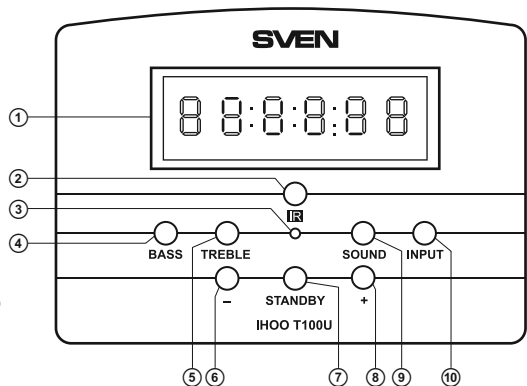


Fig. 1. Subwoofer control panel

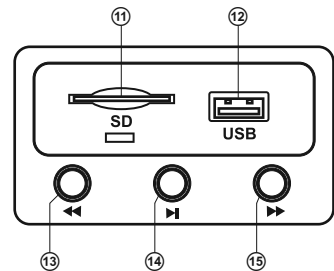


Fig. 2. Subwoofer top panel

5.1 Active Home Theater Speaker System

Subwoofer rear panel

- ① FM ANT: FM antenna input jack
- ② AUX R/L: line stereo input
- ③ DVD(5.1CH) F.R./F.L.: right/left front channel input
- ④ DVD(5.1CH) S.R./S.L.: right/left rear channel input
- ⑤ DVD(5.1CH) C: center channel input
- ⑥ DVD(5.1CH) S.W.: subwoofer input
- ⑦ FRONT RIGHT: front right speaker input
- ⑧ FR. LT.: front left speaker input
- ⑨ CENTER: center speaker input
- ⑩ REAR RIGHT: rear right speaker input
- ⑪ REAR LEFT: rear left speaker input
- ⑫ POWER ON/OFF: power switch
- ⑬ Power cord

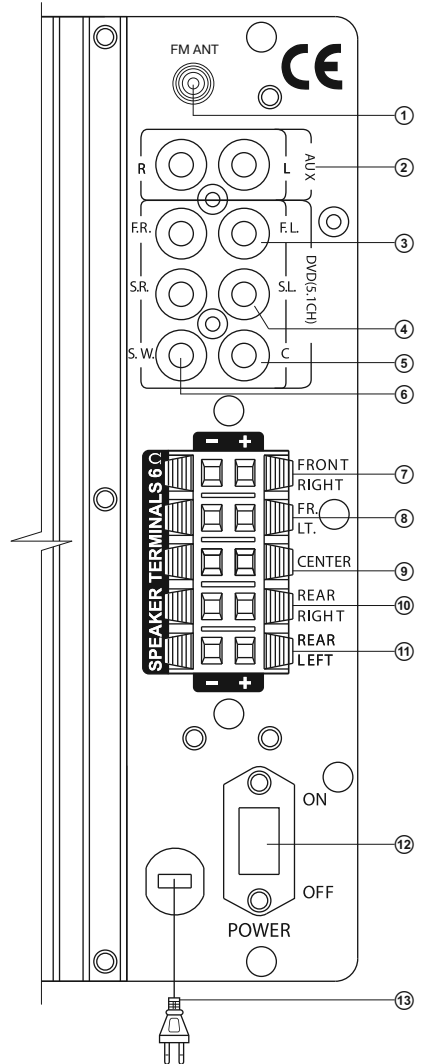


Fig. 3. Subwoofer rear panel

Operation Manual

IH00 T100U

Remote control

- ① STANDBY: HTSS on/off button
- ② INPUT: input switch button (STEREO, 5.1, TUNER, USB/SD)
- ③ SOUND: sound mode selection button (STEREO, PROLOGIC 5.1 emulation)
- ④ CEN +/-: center channel volume up/down
- ⑤ MEM: memorize selected radio frequency
- ⑥ VOL +/-: master volume up/down
- ⑦ BASS +/-: bass level up/down
- ⑧ MUTE: sound off/on
- ⑨ PRESET: return to default settings
- ⑩ REAR +/-: rear channels volume up/down
- ⑪ SW +/-: subwoofer volume up/down
- ⑫ : play / pause
- ⑬ : previous track (pressed short)/ rewind (pressed and held down)
- ⑭ : next track (pressed short)/ fast forward (pressed and held down)
- ⑮ TUN +/-: scan radio stations up/down the frequency range; when held down, frequencies are scanned and memorized automatically
- ⑯ TREBLE +/-: treble level up/down
- ⑰ CH: switch on/off radio station scanning with TUN +/- buttons

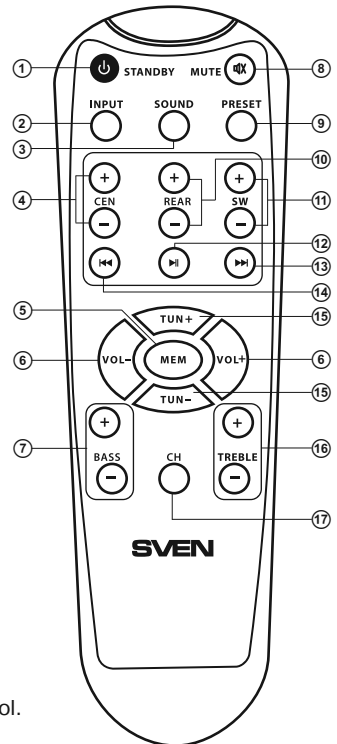


Fig. 4. Remote control

Installing RC batteries

- Open the battery compartment on the back of the remote control.
- Insert the included AAA batteries.
- Close the battery compartment.

Notes:

- **Use the RC at an angle no more than 30° at a distance of no more than 7 meters.**
- **Direct the remote control at the LED display on the subwoofer.**
- **If the RC does not work, check the batteries or replace the discharged batteries with new ones.**
- **Remove the batteries from the RC if you don't intend to use it for a long time (more than a week).**

5. PREPARATION AND OPERATION

Speaker placement

- To achieve optimum sound, it's recommended that you place the speakers according to Fig. 5. The center and front speakers should be located along an imaginary circle with the distance between the listener and the center channel speaker as a radius, and the listener's head as the center. Each of the three speakers should be placed at equal distance from the listener. The front speakers and the listener make up an equilateral triangle. The rear speakers are placed at the same distance from the listener (on the imaginary circle, too) at an angle of nearly 110° to the Listener - Display axis.
- Avoid placing your speakers in the corners and close to walls, as this can lead to unwanted resonance and distortions. If possible, place them at least 20 cm away from walls.
- For more accurate perception, the tweeters should be at the listener's ear level.
- Do not locate the speakers in niches. Such placement can affect the sound badly, especially in the lows.
- The subwoofer emits non-directional sound, therefore it can be located in any place of the room where it sounds the best.

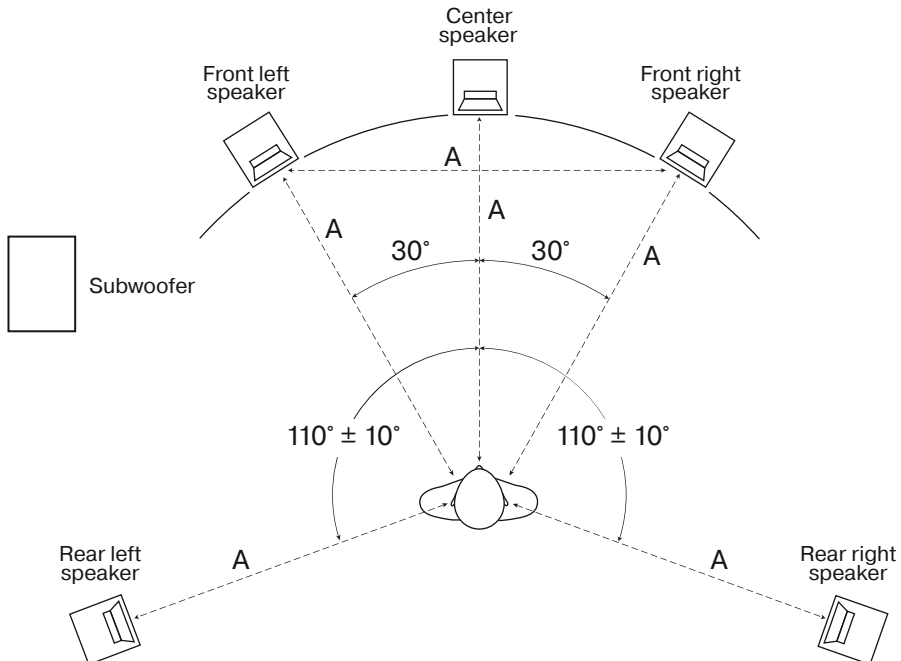


Fig. 5. Speaker placement

Connecting speakers to the subwoofer

- Connect the speakers to the subwoofer as shown in Fig. 6 using the included audio cables. Mind that the red (+) terminals of the speakers should be connected to the red terminals of the subwoofer (+ → +), while black (-) terminals of the speakers should be connected to the black terminals of the subwoofer (- → -).
- Check the correctness of connection polarity and absence of contact between bared wires and metal parts of the equipment (see connection diagram in Fig. 6).

Installing and connecting the FM antenna

- Insert the included indoor FM antenna into the FM ANT ① jack on the subwoofer rear panel, as shown in Fig. 6. Install the FM antenna in such a way that reception quality is satisfactory, and then fix the position of the antenna.

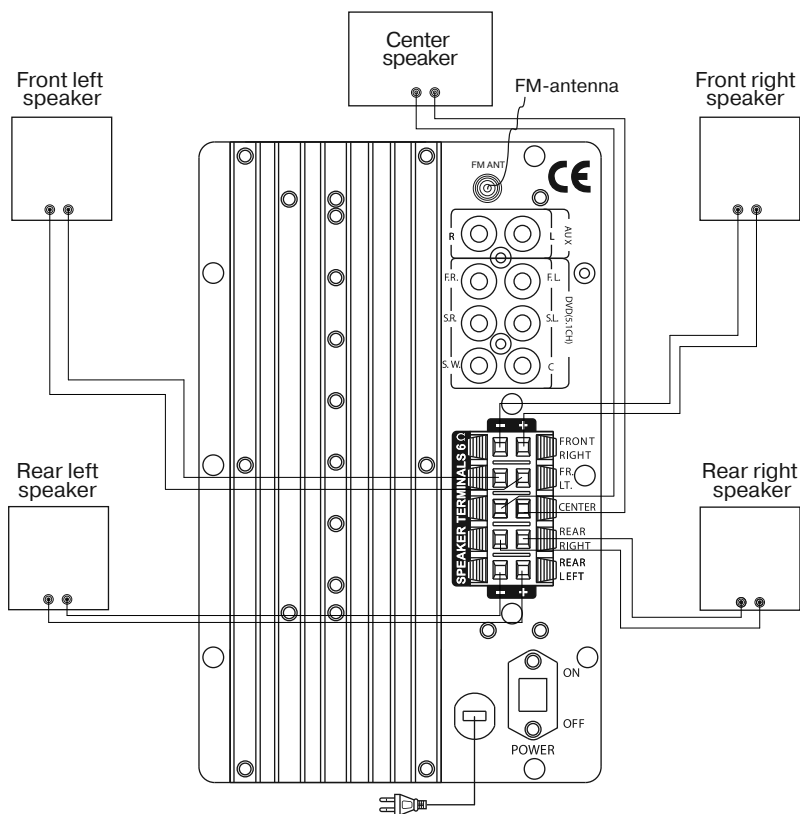


Fig. 6. Speaker connection diagram

5.1 Active Home Theater Speaker System

Note. In buildings with weak FM signal use an outdoor 75 Ohm FM antenna. Typically, a three-element antenna is enough, but in areas with weak FM signal it is necessary to use an FM antenna with 5 or more elements.

Preparations

IHO0 T100U speaker system can be connected to virtually any audio source: DVD/CD/MP3 player, PC sound card, etc. (see connection diagram, Fig. 7).

Caution! Before making any connections, make sure the MSS is off and unplugged.

- To connect the HTSS to PC sound cards, MP3/CD players, use the 2RCA to mini-jack signal cables from the package. Connect the RCA jacks and mini-jacks, as shown in Fig. 7.

- To connect the speakers to a CD/DVD/AUX player or TV use the included 2RCA to 2RCA stereo signal cables (see Fig. 7).

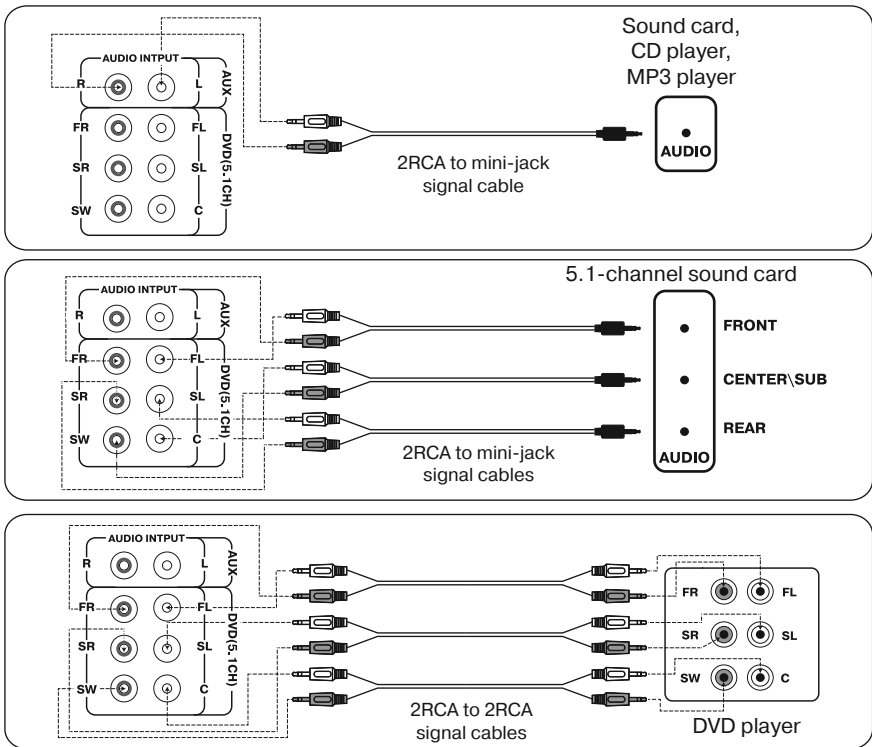


Fig. 7. Connection to audio sources

Switching on

- Adjust the volume level to the minimum and connect the power cord ⑬ to the mains outlet.
- Switch on the HTSS power supply with the POWER ON/OFF switch (⑭, ON position) on the subwoofer rear panel. The power LED ③ on the front panel will illuminate. Press the STANDBY ① button on the RC or STANDBY ⑦ button on the subwoofer control panel, and the LED display (①, Fig. 1) will illuminate. The STANDBY function is designed for switching the system on/off quickly and saving electricity.

Selecting audio source

- The HTSS has two stereo audio inputs (AUX and DVD(5.1CH)) on the subwoofer rear panel and an SD slot and USB port on its top panel. The system will automatically enter the Player mode when a USB device is connected to the USB port ⑫ or an SD card is inserted into the corresponding slot ⑪. According to the necessary connection, select the audio source with the INPUT ⑩ button on the control panel or button ② on the RC. The subwoofer LED display ① will show the input selected.

Notes:

- ***If the USB port and SD card slot are used at once, you can select the necessary source by successively pressing the INPUT ⑩ button on the subwoofer front panel or button ② on the RC.***
- ***SD/USB flash storage devices with capacity higher than 8Gb may work incorrectly – data processing may be delayed.***

Master volume control

- Adjust (increase/reduce) the master volume with buttons VOL+/- ⑥ on the RC.

Subwoofer and satellite speaker volume control

- The bass and treble level can be adjusted with BASS +/- ⑦ and TREBLE +/- ⑧ buttons respectively on the RC.
- The rear and center speaker volume can be adjusted with REAR +/- ⑩ and CEN+/- ④ buttons on the RC. The SW +/- ⑪ RC buttons are used for adjusting the subwoofer volume control.

Pro.logic 3D sound effect

- This feature can be activated if the sound is played via the stereo input. To use this feature, press the SOUND ③ button on the remote control or SOUND ⑨ button on the subwoofer control panel. The LED display ① will show Pro.Logic. The processed stereo signal will play from 5 satellite speakers and the subwoofer. Press these buttons again to deactivate this feature.

Switching off the sound

- Press the MUTE ⑥ button on the RC to switch off the sound. Press this button again to switch the sound on.

FM tuner mode

- The FM mode is selected with the INPUT ⑩ button on the subwoofer control panel or INPUT ② button on the RC.

Auto radio station search

- Press and hold down the TUN+ ⑮ button on the RC for more than 1.5 seconds to activate the auto radio station search and memorizing (no more than 30 stations).
- To tune to the memorized radio stations, press the CH ⑰ button on the RC, and then select the necessary channel with the TUN+/- ⑮ buttons.

Manual radio station search

- To select the necessary frequency, press the TUN+/- (15) buttons short (frequency range 87.5 – 108 MHz with a tuning step of 50 kHz). Then press the MEM (20) button on the RC to memorize the selected radio frequency. The memorized frequencies are automatically numbered CH01 to CH30.

Note. The number of stations and reception quality depend on reception conditions.

Returning to default settings

- Press the PRESET (9) button on the RC to return to default settings.

Notes:

- **If the HTSS is left unused for a long period of time, mind to switch it off with the POWER switch (12, OFF position) and unplug the power cord from the mains socket.**
- **To improve the sound quality, use the Line-Out port of your sound card.**

10. TROUBLESHOOTING

Problem	Cause	Solution
The HTSS does not turn on.	The HTSS isn't connected to a mains outlet.	Check the connection.
	The power switch is off.	Turn on the switch.
No sound.	Volume level is set at minimum value.	Adjust the volume control knob.
	Improperly connected audio source.	Connect audio sources correctly.
There is too quiet sound of speakers.	Volume level is set at its minimum value.	Adjust the volume control knob.
Distortion of sound.	Large amplitude of the input signal.	Turn down the source volume and the HTSS volume.
The remote control is not working.	The batteries are discharged.	Replace batteries with new ones.
	There is direct sunlight.	Change the subwoofer or remote control location.
	Obstacle between the remote control and the subwoofer receiver.	Change the subwoofer or remote control location.
The FM tuner is not working.	The FM tuner is not connected.	Connect the FM antenna.
	Poor reception of the antenna.	Connect an outdoor FM antenna.

If none of the above methods can solve the problem, please seek professional advice at your nearest service center. Never attempt to repair the product yourself.

7. TECHNICAL SPECIFICATIONS

Parameter, measurement unit	Value
Output power (RMS), W subwoofer satellites	150 (50 + 5 × 20) 50 5 × 20
Frequency response, Hz subwoofer satellites	40 – 125 125 – 22 000
Frequency bands: USW, MHz (50 kHz step)	87.0 – 108.0
S/N ratio, dB	75
Speaker driver size, mm: subwoofer center speaker (2 × woofer/mid-range + tweeter) front speakers (woofer/mid-range + tweeter) rear speakers (woofer/mid-range)	Ø 165 2 × Ø 115 + Ø 25 Ø 115 + Ø 25 full-range Ø 115
Power supply, V/Hz	~220 ± 10%/50
Input power, W	180
Magnetic shielding	front and center speakers
Dimensions (W × H × D), mm: subwoofer center speaker front speakers rear speakers	200 × 410 × 350 400 × 140 × 150 168 × 300 × 220 150 × 180 × 150
Weight, kg	19.88

Notes:

- **Technical specifications given in this table are supplemental information and cannot give occasion to claims.**
- **Technical specifications are subject to change without notice due to the improvement of SVEN production.**

5.1 Active Home Theater Speaker System

SVEN®
YOU WANT – WE CAN



Модель: **IHOO T100U**

Импортер в России: ООО «СКАНДИТРЕЛ», 111024, РФ, г. Москва, ул. Авиамоторная, д. 65, стр. 1.

Уполномоченная организация в России: ООО «РТ-Ф», 105082, г. Москва, ул. Фридриха Энгельса, д. 75, стр. 5.

Условия гарантийного обслуживания смотрите

в гарантийном талоне или на сайте **www.sven.fi**.

Гарантийный срок: 12 мес. Срок службы: 5 лет.

Производитель: «СВЕН ПТЕ. Лимитед», 176

Джу Чиаг Роуд, № 02-02, Сингапур, 427447.

Произведено под контролем «Свен Скандинавия Лимитед», 48310, Финляндия, Котка, Котolahdentie, 15.

Сделано в Китае.

Manufacturer: SVEN PTE. LTD, 176 Joo Chiat Road, № 02-02, Singapore, 427447. Produced under the control of Oy Sven Scandinavia Ltd. 15, Kotolahdentie, Kotka, Finland, 48310. Made in China.

© Registered Trademark of Oy **SVEN**
Scandinavia Ltd. Finland.

IHOO T100U