

SVEN®
YOU WANT – WE CAN

2.0 Multimedia Speaker System

OPERATION MANUAL



ROYAL 1R
ROYAL 2R

www.sven.fi

Operation Manual

ROYAL 1R ROYAL 2R

Congratulations on your purchase of the SVEN speaker system!

COPYRIGHT

© 2014. SVEN PTE. LTD. Version 1.0 (V 1.0).

This Manual and information contained in it are copyrighted. All rights reserved.

TRADEMARKS

All trademarks are the property of their legal holders.

NOTICE OF RESPONSIBILITY RESTRICTION

Despite the exerted efforts to make this Manual more exact, some discrepancies may occur. The information in this Manual is given on “as is” terms. The author and the publisher do not bear any liability to a person or an organization for loss or damage which has arisen from the information contained in this Manual.

CONTENTS

1. BUYER RECOMMENDATIONS	1
2. PACKAGE CONTENTS.....	2
3. SAFETY PRECAUTIONS	2
4. TECHNICAL DESCRIPTION	2
5. PREPARATION AND OPERATION	4
6. TROUBLESHOOTING.....	7
7. TECHNICAL SPECIFICATIONS	8

1. BUYER RECOMMENDATIONS

- Unpack the device carefully. Make sure there are no accessories left in the box. Check up the device for damage; if the product was damaged during transportation, address the firm which carried out the delivery; if the product functions incorrectly, address the dealer at once.
- Check up the package contents and availability of the warranty card. Make sure the warranty card has a shop stamp, a legible signature or the seller’s stamp and purchase date, and the goods number corresponds to that in the warranty card. Remember: in case of warranty card loss or discrepancy of numbers you forfeit the right for warranty repairs.
- Do not switch on the speaker system immediately after you bring it into a room from environment with negative temperature! After unpacking, the speaker system should be kept in conditions of room temperature for at least 4 hours.
- Before installing and using the speaker system, read this Manual carefully and keep it for future reference.

Technical support is on www.sven.fi.

2. PACKAGE CONTENTS

- Speakers – 2 pcs
- 2RCA to mini-jack signal cable – 1 pc
- 2RCA to 2RCA signal cable – 1 pc
- Audio cable – 1 pc
- Remote control – 1 pc
- AAA batteries – 2 pcs
- Operation manual – 1 pc
- Warranty card – 1 pc

3. SAFETY PRECAUTIONS



Caution! High voltage inside! To avoid the risk of electric shock do not open or touch elements inside.

- To avoid electric shock, do not open the MSS and do not perform repairs by yourself. Service and repairs should be performed only by qualified specialists in an authorized service center. The list of authorized service centers is available on www.sven.fi.
- Do not allow the circuit of wires (including the grounded ones) between the speakers, on the power amplifier or the ground, for it causes damage to the power amplifier output stage.
- Do not touch the MSS power cord plug pins for 2 seconds after unplugging it from the mains.
- Disconnect MSS from the mains system during a fuse replacement. Use fuses of the same type and rated value. Do not use hand-made fuses.
- Do not put foreign objects inside the holes of the MSS.
- Protect the MSS from high humidity, water and dust.
- Protect the MSS from heating: do not place it closer than 1 m from a heat source. Do not expose it to direct sunlight.
- Do not place any open flame sources on or close to MSS.
- Do not place the MSS in poorly ventilated areas. Leave an air gap of 10 cm or more. When operating the MSS, do not put any devices on it, do not cover it with cloth or other objects preventing it from cooling.
- Do not use any chemical agents for cleaning. Clean it with dry soft cloth only.

4. TECHNICAL DESCRIPTION

ROYAL 1R and ROYAL 2R 2.0 Multimedia Speaker Systems (MSS) are designed to play music and sound games, movies, etc. The MSS has a built-in power amplifier, two switching stereo inputs enabling to connect it to virtually any audio source (CD/DVD-player, TV, PC, etc.) without an additional power amplifier. Remote control is included.

Special features

- Two switching stereo inputs
- Electronic volume and treble control on the front panel
- Silk dome tweeters
- Bullet-shaped phase plug of the woofer improves the frequency response and expands directivity
- Remote control
- Power LED

Operation Manual

ROYAL 1R ROYAL 2R

- Full magnetic shielding
- Wooden (MDF) speaker cabinets with glossy finish

Control panels

- ① POWER: power LED
- ② IR: IR receiver display
- ③ FUNCTION: function button: Volume, Treble, Bass and Reset
- ④ VOL-: volume «-» button
- ⑤ VOL+: volume «+» button
- ⑥ AUDIO INPUT R/L: PC and AUX audio inputs
- ⑦ SPEAKER R: right speaker output
- ⑧ POWER ON/OFF: power switch
- ⑨ FUSE: fuse
- ⑩ Power cable

Remote control (Fig. 4)

- ① ST-BY: STANDBY button
- ② MUTE: MUTE button
- ③ BASS+/-: bass level control buttons
- ④ INPUT: input selection button
- ⑤ TRE+/-: treble level control buttons
- ⑥ RESET: return to default settings
- ⑦ VOL+/-: volume control buttons

Remote control battery installation

- Open the battery compartment on the back of the remote control.
- Insert the AAA batteries (included), matching the polarity.
- Close the battery compartment.

Notes:

- **Use the remote control at an angle no more than 30°, no more than 7 meters away.**
- **Direct the remote control at the IR receiver display ② on the active speaker.**
- **If the remote control doesn't work, check the batteries or replace the discharged batteries with new ones.**
- **Remove the batteries from the remote control if the system is left unused for a long period of time (more than a week).**
- **Keep the remote control in a clean, dry place.**

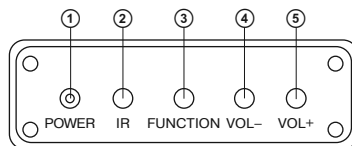


Fig. 1. Front panel

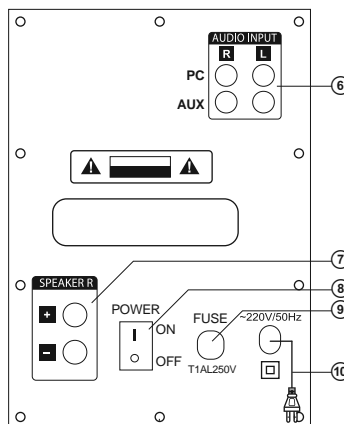


Fig. 2. Royal 1R rear panel

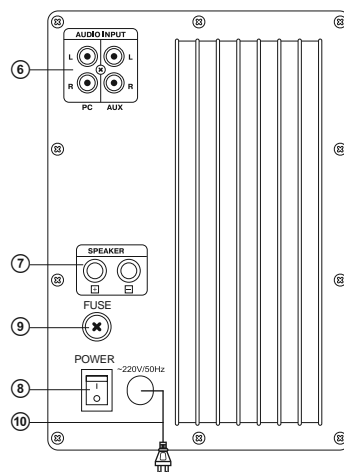


Fig. 3. Royal 2R rear panel

5. PREPARATION AND OPERATION

Speaker placement

- Place the speakers symmetrically to the listener at least one meter away.
- Since the speaker system has bass reflex port on the rear panel, place it at the distance of 20-30 cm from a wall or any other obstacle.
- Place MSS far away from monitors and TV sets, as insignificant image distortion in these supersensitive devices is possible.

Installation and operation

ROYAL 1R and ROYAL 2R Multimedia Speaker Systems can be connected to virtually any audio source: DVD/CD, PC, laptop, etc. (see connection diagrams, Fig. 5a and Fig. 5b).

- Before making any connections, make sure that the MSS is switched off. Connect the speakers to each other using the audio cable (included). To do this, unscrew the binding posts on the passive speaker, insert the positive (red) cable end into the hole of the positive binding post, and the negative (white) cable end into the hole of the negative binding post, as shown in Fig. 5a and Fig. 5b, and then connect the cable to SPEAKER R ⑦ on the active speaker in the same way. Screw up the binding posts tight.

Notes:

- **Always match the polarity.**
- **Do not short the speaker cable ends together.**
- **After connecting, all the binding posts must be tightened well.**
- To connect the MSS to a TV or DVD/CD player, plug the RCA jacks of the 2RCA to 2RCA stereo signal cable (included) to AUX AUDIO INPUT R/L ⑥ of the active speaker, and connect the other RCA jacks of the signal cable to the output of the TV, DVD/CD players, as shown in Fig. 5a and Fig. 5b.
- To connect the MSS to a PC, MP3/CD player, plug the RCA jacks of the 2RCA to mini-jack Ø 3,5 mm (included) stereo signal cable into the PC AUDIO INPUT of the active speaker ⑤, and connect the mini-jack of the signal cable to the output of the computer sound card or to the audio output (Ø 3.5 mm jack) of another sound source, as shown in Fig. 5a and Fig. 5b.

Note. Sound quality is directly affected by correctness and reliability of the connection of cables. The left RCA jacks should be inserted into the left ports of the amplifier (usually white), and the right RCA jacks should be inserted into the right ports of the amplifier (usually red). It is recommended that cables included into the package contents of the MSS be used.

- Adjust the volume to its minimum using the VOL- ④ button on the control panel or control button VOLUME- ⑦ on the remote control, then connect the MSS to the mains outlet via the built-in power cable ⑩.

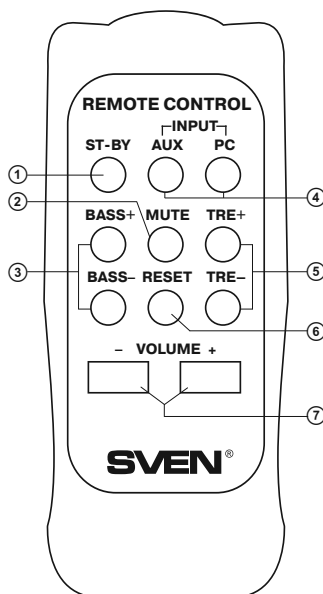


Fig. 4. Remote control

Operation Manual

ROYAL 1R
ROYAL 2R

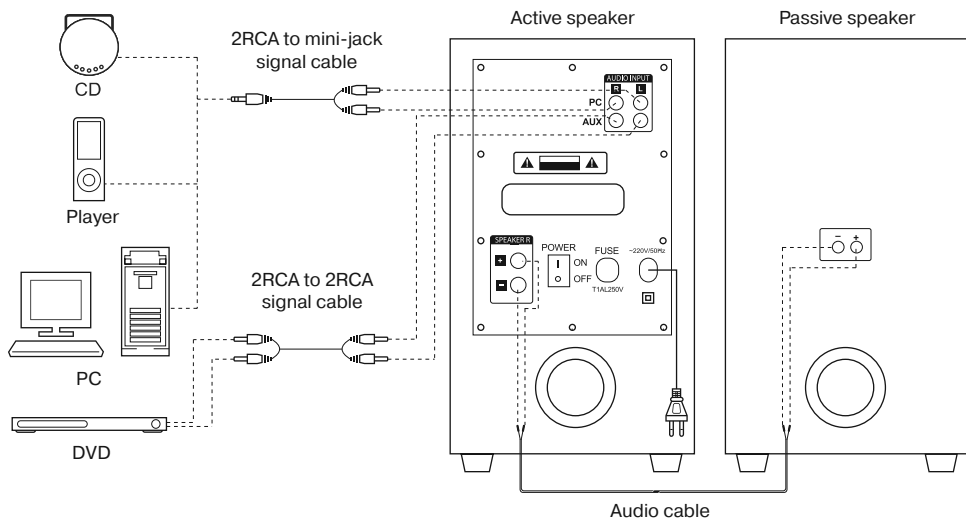


Fig. 5a. Royal 1R connection diagram

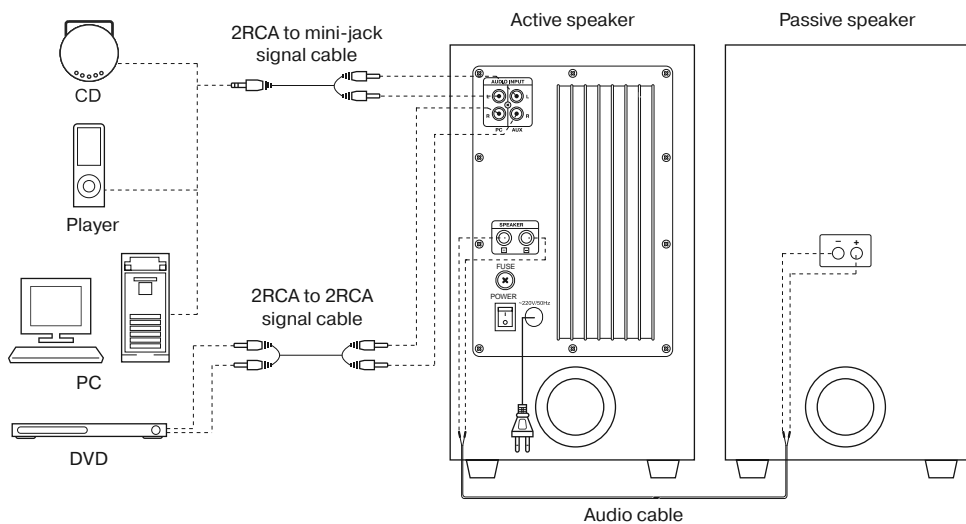


Fig. 5b. Royal 2R connection diagram

- Switch on the MSS by shifting the POWER switch ⑧ into the ON position, and the power LED ① on the front panel will illuminate. Then, using the INPUT AUX/PC ④ buttons on the remote control, choose the system input.
- Adjust the volume level with buttons VOL+/- ⑦ on the remote control. It is also possible to set the desired sound level with buttons VOL- (level decrease) ④ and VOL + (level increase) ⑤ after pressing the function button ③ once, the power LED ① on the front panel will illuminate green.
- Adjust the bass level with buttons BASS+/- ③ on the remote control. It is also possible to set the desired bass level with buttons VOL- (level decrease) ④ and VOL + (level increase) ⑤ after pressing the function button ③ twice, the power LED ① on the front panel will illuminate orange.
- Adjust the treble level with buttons TRE+/ ⑤ on the remote control. It is also possible to set the desired treble level with buttons VOL- (level decrease) ④ and VOL + (level increase) ⑤ after pressing the function button ③ three times, the power LED ① on the front panel will illuminate red.
- Press ST-BY (①, Fig. 3) on the remote control to temporarily turn off the system. Press this button again to turn on the system.
- Press the MUTE button ② on the remote control to temporarily turn off the sound. Press this button again to turn on the sound.
- After using the MSS, mind to switch it off with the POWER ON/OFF switch (③, OFF position), and unplug the power cable ⑩ from the mains socket.

Notes:

- ***If you press the FUNCTION button ③ and hold it down for more than 3 seconds, the system will return to the default volume and timbre settings and the sound will be determined by the input signal only.***
- ***Though the MSS has two audio inputs, you can turn on only one audio source at a time: PC or AUX.***

6. TROUBLESHOOTING

Problem	Cause	Solution
The MSS does not turn on.	The MSS isn't connected to a mains outlet.	Check the connection.
	The power switch is off.	Turn on the switch.
No sound.	Volume level is set at minimum value.	Adjust volume control knob.
	Improperly connected audio source.	Connect audio sources correctly.
There is too quiet sound of speakers.	Volume level is set at minimum value.	Adjust volume control knob.
Distortion of sound.	Large amplitude of the input signal.	Turn down the source volume and MSS volume.
Sound is produced by one of the channels only.	The speakers are improperly connected to the audio source.	Check the connection of the speakers.
The remote control is not working.	The batteries are discharged.	Replace the batteries with new ones.
	There is direct sunlight.	Change location of the active speaker or remote control.
	Obstacle between the remote control and the receiver display.	Change location of the active speaker or remote control.

If none of the above mentioned solutions removes the problem, please refer to your nearest authorized service center. Never try to repair the device on your own.

7. TECHNICAL SPECIFICATIONS

Parameter, measurement unit	Royal 1R	Royal 2R
Output power (RMS), W	70 (2 × 35)	100 (2 × 50)
Frequency range, Hz	40 – 27 000	35 – 25,000
Speaker diameter, mm		
tweeter	Ø 25	Ø 25
woofer	Ø 133	Ø 165
Power supply, V / Hz	~220/50	~220/50
Dimensions (one speaker), mm	180 × 332 × 275	210 × 397 × 306
Weight, kg	12	16,9

Notes:

- *Technical specifications given in this table are supplemental information and cannot give occasion to claims.*
- *Technical specifications and package contents are subject to change without notice due to the improvement of SVEN production.*

2.0 Multimedia Speaker System

SVEN®
YOU WANT – WE CAN



Модели: **Royal 1R/Royal 2R**

Импортер в России: ООО «СКАНДИТРЕЛ», 111024, РФ,
г. Москва, ул. Авиамоторная, д. 65, стр. 1.

Уполномоченная организация в России: ООО «РТ-Ф»,
105082, г. Москва, ул. Фридриха Энгельса, д. 75, стр. 5.

Условия гарантийного обслуживания смотрите
в гарантийном талоне или на сайте **www.sven.fi**.

Гарантийный срок: 12 мес.

Срок службы: 5 лет.

Производитель: «СВЕН ПТЕ. Лимитед»,

176 Джу Чиат Роуд, № 02-02, Сингапур, 427447.

Произведено под контролем «Свен Скандинавия
Лимитед», 48310, Финляндия, Котка,

Котлахдентие, 15. Сделано в Китае.

Manufacturer: SVEN PTE. LTD, 176 Joo Chiat Road,
№ 02-02, Singapore, 427447. Produced under the
control of Oy Sven Scandinavia Ltd. 15, Kotolahdentie,
Kotka, Finland, 48310. Made in China.

® Registered Trademark of Oy SVEN
Scandinavia Ltd. Finland.

ROYAL 1R
ROYAL 2R