

User Guide

www.tenda.cn



5/8-Port Desktop Gigabit Ethernet Switch

Copyright Statement

Tenda[®] is the registered trademark of Shenzhen Tenda Technology Co., Ltd. All the products and product names mentioned herein are the trademarks or registered trademarks of their respective holders. Copyright of the whole product as integration, including its accessories and software, belongs to Shenzhen Tenda Technology Co., Ltd. Without the permission of Shenzhen Tenda Technology Co., Ltd, any individual or party is not allowed to copy, plagiarize, imitate or translate it into other languages.

All the photos and product specifications mentioned in this guide are for references only. As the upgrade of software and hardware, there will be changes. And if there are changes, Tenda is not responsible for informing in advance. If you want to know more about our product information, please visit our website at www.tenda.cn.

Content

1. Introduction	1
1.1 Switch Features	1
1.2 Package Contents	2
1.3 Front Panel and Rear Panel Specifications	2
1.4 LED Indicator Specifications	3
2. Installation	5
2.1 Before Connecting to the Network	5
2.2 Connecting to End Nodes	5
2.3 Switch to Router or Switch	6
3. Product Specification	7

1. Introduction

The G1005D/G1008D 5/8-Port Desktop Gigabit Ethernet Switch, mini and exquisite, is especially suitable for small-sized networking. It provides 5/8 10/100/1000Mbps Auto-negotiation ports and supports Auto MDI/MDIX. These Gigabit ports can be used not only as ordinary ports, but as Uplink ports connected to other networking devices. You can replace the 10/100Mbps switch with the G1005D/G1008D to resolve the bottleneck issues of server terminal connectivity, because the speed at each port can be up to 2000Mbps in full-duplex mode. It's the best choice for you to upgrade from the normal 10/100Mbps to 1000Mbps. Moreover, its easy setup and no network management will benefit you a lot. So you can select this Gigabit Switch as a prime switch to improve the speed between different departments and servers.

1.1 Switch Features

- Complies with IEEE802.3, IEEE802.3u and IEEE802.3ab Ethernet standards
- Supports Auto MDI/MDIX on each port
- Supports NWAY Auto-Negotiation function
- Provides 5/8 10/100/1000Mbps Auto-Negotiation RJ-45 ports

- Supports IEEE802.3x flow control for full-duplex and Backpressure flow control for half-duplex
- Provides up to 10/16Gbps backplane bandwidth and non-blocking line speed forwarding
- Supports store-and-forward switching method
- Provides 8K MAC address entries and MAC address self-learning/auto-aging
- Desktop and mini plastic shell design

1.2 Package Contents

Please check the articles carefully after you open the packing as below:

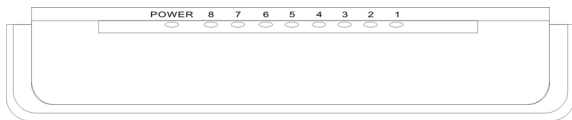
- ◆ One 5/8-Port Desktop Gigabit Ethernet Switch
- ◆ One Power Adapter
- ◆ One User Guide

If any of the listed items are missing or damaged, please contact the reseller from whom you purchased for replacement.

1.3 Front Panel and Rear Panel Specifications

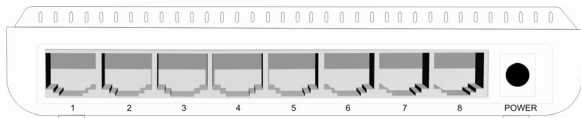
The front panel of 5/8-Port Desktop Gigabit Ethernet Switch includes 5/8 Link/Act indicators and one power indicator. Please

refer to the detailed description of these indicators in *LED Indicator Specifications*.



The front panel of the Switch

The Rear Panel of the Switch includes 5/8 10/100/1000Mbps RJ-45 ports and one AC power port used for AC power input.



The rear panel of the Switch

Notice: Please use the delivery-attached power adapter. If not, the switch may be damaged.

1.4 LED Indicator Specifications

The LED indicators of the Switch include Power and 5/8 Link/Act indicators. You can see their operating situation through these LED indicators.

The following chart shows the LED indicators of the Switch along with explanation of each indicator.

LED	Color	Status	Description
Power	Green	ON	This indicator lights when the Switch turns on.
	—	OFF	If this indicator is not lighting, please check the AC power connector to ensure proper connectivity of the power cable and the Switch.
Link/Act	Green	ON	Indicates the Switch is connected at 1000Mbps.
		Blinking	Indicates the Switch is transmitting/receiving data packets at 1000Mbps.
	Orange	ON	Indicates the Switch is connected at 10/100Mbps.
		Blinking	Indicates the Switch is transmitting/receiving data packets at 10/100Mbps.
	—	OFF	Indicates the connection fails.

2. Installation

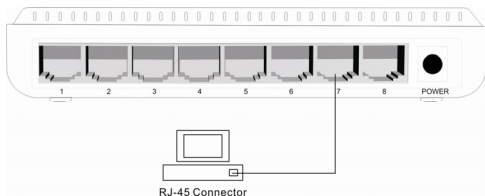
2.1 Before Connecting to the Network

Before connecting the G1005D/G1008D to the network, please pay attention to the following instructions:

- Don't put heavy articles on the Switch.
- Power sockets and equipments should be within 1.5 meters of the Switch.
- Check power adapter to confirm the safe connection.
- Make sure there's adequate space for proper heat dissipation and adequate ventilation around the Switch.

2.2 Connecting to End Nodes

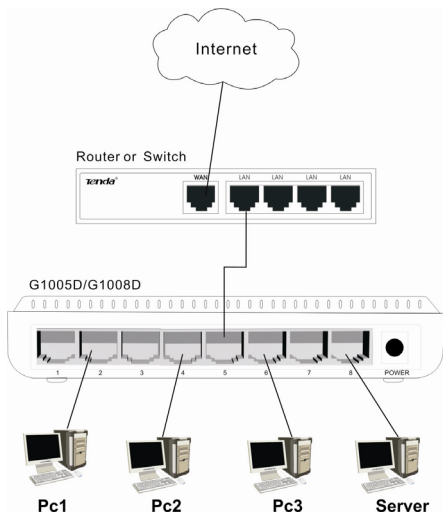
Use standard Ethernet cable to connect the Switch to end nodes as described below. Switch ports will automatically adjust to the characteristics (speed/duplex) of the device to which is connected.



Switch connecting to an end node

Please refer to the *LED Indicator Specifications*. The Link/Act LEDs for each port are turned on when the link is available.

2.3 Switch to Router or Switch



Connecting to another router or switch

Please refer to the *LED Indicator Specifications*. The Link/Act LEDs for each port are turned on when the link is available.

3. Product Specification

Standards	IEEE802.3 10Base-T Ethernet IEEE802.3u 100 Base-TX Fast Ethernet IEEE802.3ab Gigabit Ethernet
Protocol	CSMA/CD
Topology	Star
Network Cables	10 Base-T: Cat.3 UTP or above 100 Base-TX: Cat.5 UTP /STP 1000Base-T: Cat.5, Cat.5e or Cat.6 UTP/STP
Speed	10/100/1000Mbps
Transmission Method	store-and-forward
MAC Address Table	8K entries
Packet Filtering/ Forwarding Rate	14880pps(10Mbps)per port
	148800pps(100Mbps) per port
	1488000pps(1000Mbps) per port
MAC Address Learning	Self-learning, auto-aging
Power	External universal power supply
AC Input	AC 9V 1200mA
Power Consumption	6W/7.2W
Operating Temperature	0°C ~40°C
Storage Temperature	-40°C ~70°C
Operating Humidity	10%~90% RH no condensing
Storage Humidity	5%~90% RH no condensing

Manufacturer: SHENZHEN TENDA TECHNOLOGY CO.,LTD.
Address: 3F, Moso Industrial Building, No. 1031, Liming Road, Xili Town,
Nanshan District, Shenzhen, P.R. CHINA 518055
Technical Support: support@tenda.com.cn
Telephone: 0086.755.2765.7180
Email: sales@tenda.com.cn
Website: <http://www.tenda.cn>